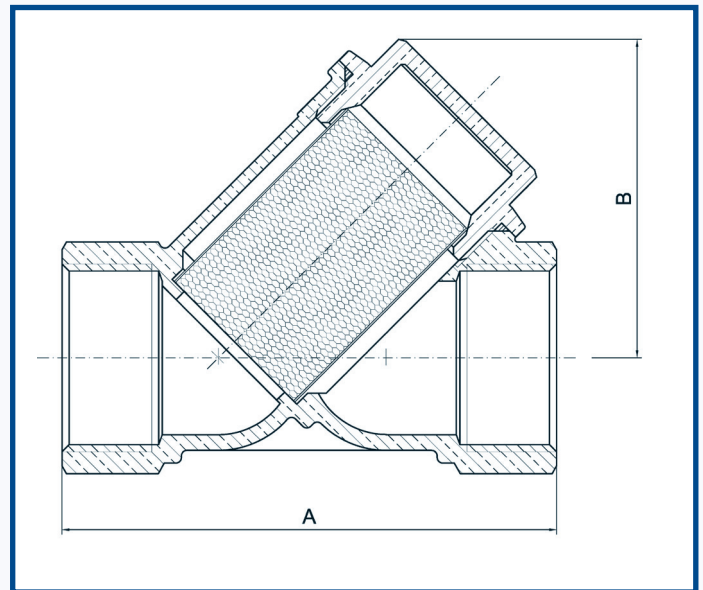




**CP1014**



### MATERIALS

Body:	Brass CW617N
Cap:	Brass CW617N
Plug:	NBR-70SH/A
Strainer Basket:	Stainless Steel 304

### CONNECTIONS

BSP Parallel: ISO 228  
(equivalent to DIN 259 and BS 2779)

SIZE	1/4"	3/8"	1/2"	3/4"	1"	1 1/4"	1 1/2"	2"	2 1/2"	3"	4"	5"
A (mm)	55.0	55.0	58.0	70.0	87.0	96.0	106.0	126.0				
B (mm)	40.0	40.0	40.0	48.0	56.0	64.0	73.0	89.0				
Filtration (µm)	500.0	500.0	500.0	500.0	500.0	500.0	500.0	500.0				
Rating	PN20	PN20	PN20	PN20	PN20	PN20	PN20	PN20				
PSI	290	290	290	290	290	290	290	290				
Weight (kg)	0.128	0.140	0.236	0.420	0.594	0.830	1.290	2.310				

Pressure and temperature ratings are minimum and maximum values only and actual performance will be dependant upon application.

All images on this page are for guidance only. E&OE. We reserve the right to amend specifications, prices & products without prior notification