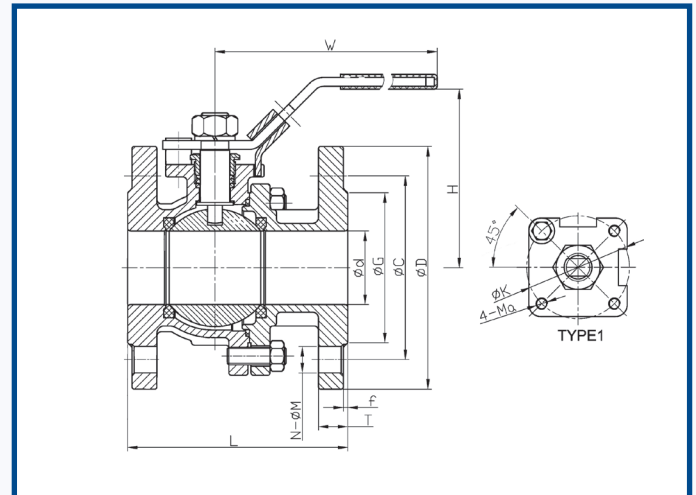




CP216L



MATERIALS	
Body:	Stainless Steel 1.4408
Cap:	Stainless Steel 1.4408
Ball:	Stainless Steel 1.4408
Seats:	RPTFE
Stem	Stainless Steel SUS316
Gasket:	PTFE
Thrust Washer:	PTFE
Packing:	PTFE
Handle:	Stainless Steel SUS304
Gland:	Stainless Steel SUS304

CONNECTIONS
Face to Face Dimensions: DIN3202 F4/F5
End Flange Dimensions: PN16 DIN2633

SIZE	1/4"	3/8"	1/2"	3/4"	1"	1 1/4"	1 1/2"	2"	2 1/2"	3"	4"	5"
d (mm)			15.0	20.0	25.0	32.0	40.0	50.0	65.0	80.0	98.0	
D (mm)			95.0	105.0	115.0	140.0	150.0	165.0	185.0	200.0	220.0	
C (mm)			65.0	75.0	85.0	100.0	110.0	125.0	145.0	160.0	180.0	
f (mm)			2.0	2.0	2.0	2.0	3.0	3.0	3.0	3.0	3.0	
G (mm)			45.0	58.0	68.0	78.0	88.0	102.0	122.0	138.0	158.0	
T (mm)			16.0	18.0	18.0	18.0	18.0	20.0	18.0	20.0	20.0	
N - Ø M (mm)			4-Ø14	4-Ø14	4-Ø14	4-Ø18	4-Ø18	4-Ø18	4-Ø18	8-Ø18	8-Ø18	
L (mm)			115.0	120.0	125.0	130.0	140.0	150.0	170.0	180.0	190.0	
H (mm)			76.0	78.0	90.0	94.0	124.0	132.0	170.0	180.0	194.0	
W (mm)			150.0	15.0	180.0	180.0	244.0	244.0	285.0	285.0	285.0	
K (mm)			42.0	42.0	42.0	50.0	70.0	70.0	70.0	102.0	102.0	
ISO 5211			F04	F04	F05	F05	F07	F07	F10	F10	F10	
Ma (mm)			M5	M5	M5	M6	M8	M8	M8	M10	M10	
Rating			PN16	PN16	PN16	PN16	PN16	PN16	PN16	PN16	PN16	
Weight (kg)			2.50	3.00	4.50	5.70	7.00	10.00	14.00	18.00	26.00	

Pressure and temperature ratings are minimum and maximum values only and actual performance will be dependant upon application.

All images on this page are for guidance only. E&OE. We reserve the right to amend specifications, prices & products without prior notification