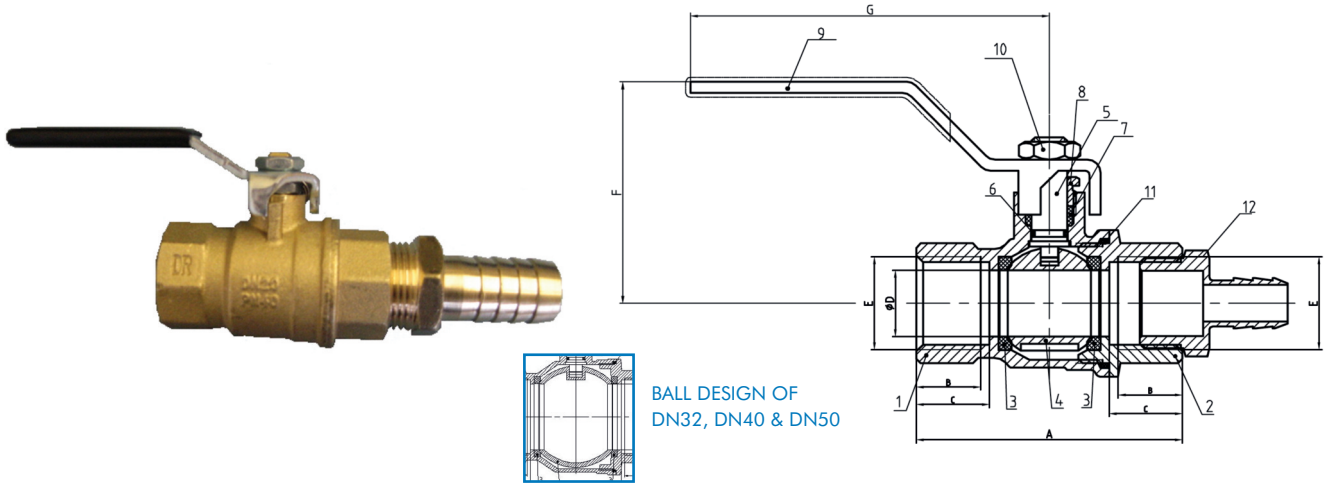


# CP97AHL

## DZR Full Bore Ball Valve c/w Hose Tail and Standard Lever



### TECHNICAL DESCRIPTION

#### FUNCTION

Shut-Off

#### SIZE RANGE

DN15 - DN50 (1/2 - 2")

#### PRESSURE RATING

PN40

#### TEMPERATURE RANGE

-20°C ~ 120°C

#### BODY MARKING

DN, PN, Logo  
Batch Date, CW602N

#### COLOUR

Handle: Black

#### APPROVALS

WRAS

#### APPLICATIONS

HVAC, Potable Water Systems

### MATERIAL CONSTRUCTION AND SPECIFICATION

- |                      |                                            |
|----------------------|--------------------------------------------|
| 1. BODY:             | CW602N DZR                                 |
| 2. BONNET:           | CW602N DZR                                 |
| 3. SEAT:             | PTFE                                       |
| 4. BALL (DN15-DN25): | CW602N DZR Chrome Plated Polished (Solid)  |
| BALL (DN32-DN50):    | CW602N DZR Chrome Plated Polished (Hollow) |
| 5. STEM (DN15-DN25): | CW602N DZR Nickel Plated                   |
| STEM (DN32-DN50):    | CW617N Brass Nickel Plated                 |
| 6. O-RING:           | EPDM (Shore 70)                            |
| 7. PACKING:          | PTFE                                       |
| 8. LOCK NUT:         | HPb57-3 Brass                              |
| 9. HANDLE:           | Q235 and PVC Sleeve                        |
| 10. NUT:             | Stl/Stl (White Zinc Plating)               |
| 11. BODY O-RING:     | EPDM (Shore 70)                            |
| 12. HOSE TAIL:       | HPb57-3 Brass                              |

### CONNECTION

ISO-7/2000 Rc Taper

### DIMENSIONS (mm)

| SIZE      |  |  | 1/2"         | 3/4"         | 1"           | 1 1/4"       | 1 1/2"       | 2"           |
|-----------|--|--|--------------|--------------|--------------|--------------|--------------|--------------|
| CODE      |  |  | CP97AHL-T015 | CP97AHL-T020 | CP97AHL-T025 | CP97AHL-T032 | CP97AHL-T040 | CP97AHL-T050 |
| A         |  |  | 58           | 67           | 81           | 94           | 102          | 121          |
| B         |  |  | 13.5         | 15.5         | 19.5         | 20.5         | 20.5         | 23           |
| C         |  |  | 15.5         | 17           | 21           | 23           | 23           | 25.5         |
| D         |  |  | 15           | 20           | 25           | 32           | 40           | 50           |
| E         |  |  | 1/2"         | 3/4"         | 1"           | 1 1/4"       | 1 1/2"       | 2"           |
| F         |  |  | 50           | 53.5         | 63.5         | 68.5         | 83           | 92           |
| G         |  |  | 81           | 81           | 114          | 114          | 158          | 158          |
| PN        |  |  | 40           | 40           | 40           | 40           | 40           | 40           |
| Kv        |  |  | 17           | 41           | 70           | 121          | 200          | 292          |
| WEIGHT(g) |  |  | tba          | tba          | tba          | tba          | tba          | tba          |
| PACKING   |  |  | tba          | tba          | tba          | tba          | tba          | tba          |