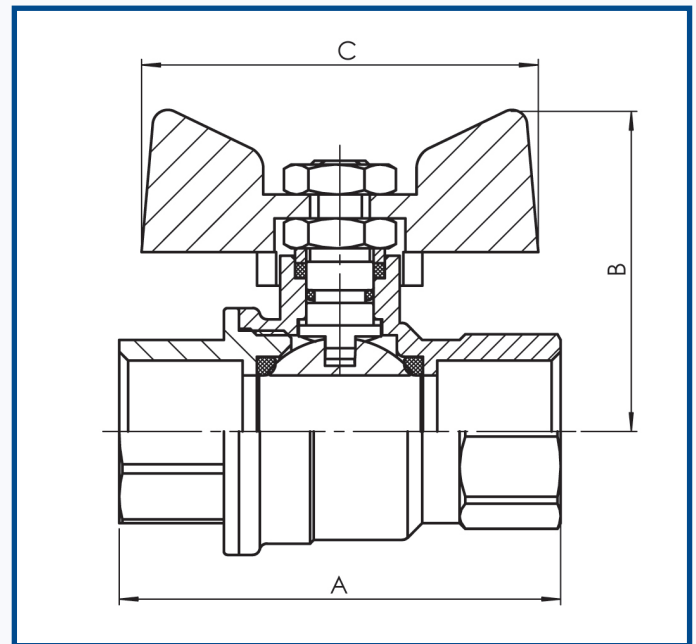



CP97T


*Applicable to DN32/DN40/DN50 versions

MATERIALS

Body:	DZR Brass CW602N Raw Finish
Ball:	Hard Chrome Plated DZR and/or Brass*
Seats:	PTFE
End Cap:	DZR Brass CW602N Raw Finish
Handle:	Cast Aluminium
O-Ring:	EPDM
Stem:	Nickel Plated DZR and/or Brass*

CONNECTIONS

BSP Taper: ISO 7/2000 Rc Taper

SIZE	1/4"	3/8"	1/2"	3/4"	1"	1 1/4"	1 1/2"	2"	2 1/2"	3"	4"	5"
A (mm)			59.0	67.0	81.5							
B (mm)			43.0	45.5	56.5							
C (mm)			53.0	53.0	73.0							
Rating			PN64	PN40	PN40							
Weight (kg)			0.210	0.300	0.550							

Pressure and temperature ratings are minimum and maximum values only and actual performance will be dependant upon application.

All images on this page are for guidance only. E&OE. We reserve the right to amend specifications, prices & products without prior notification