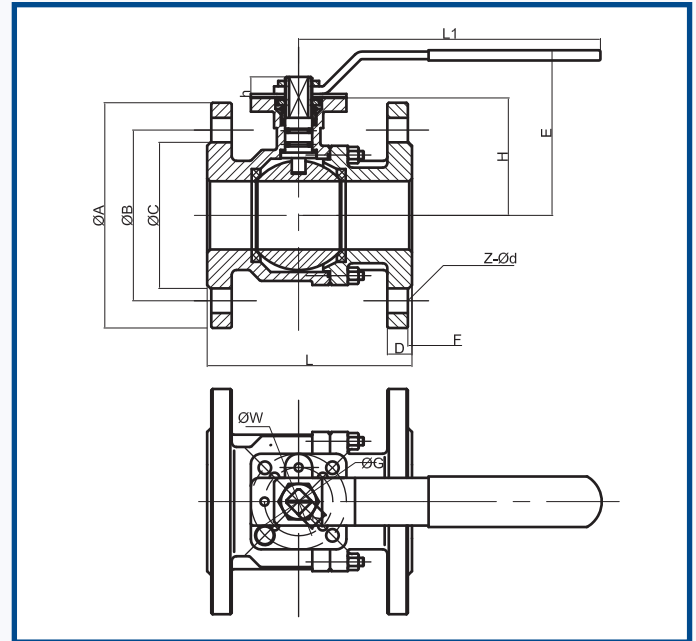


# CPD02000L

2-Pc Ductile Iron Flanged  
Full Bore Ball Valve

-20 °C to +120 °C

PN16



Body:	DUCTILE IRON GGG-40
Ball:	Stainless Steel 316
Seats:	PTFE
Stem:	Stainless Steel 316

CONNECTIONS
Flanged to PN16

SIZE				2"	2 1/2"	3"	4"	5"	6"			
ØA (mm)				165.0	185.0	200.0	220.0	250.0	285.0			
ØB (mm)				125.0	145.0	160.0	180.0	210.0	240.0			
ØC (mm)				102.0	122.0	138.0	160.0	188.0	212.0			
K (mm)				14.0	17.0	17.0	17.0	17.0	22.0			
L (mm)				150.0	170.0	180.0	190.0	200.0	210.0			
L1 (mm)				220.0	284.0	284.0	360.0	447.0	560.0			
H (mm)				86.0	98.0	114.0	136.0	165.0	190.0			
h (mm)				15.5	18.5	18.5	18.5	18.5	23.0			
E (mm)				120.0	140.0	150.0	180.0	215.0	240.0			
D (mm)				18.0	20.0	20.0	20.0	20.0	20.0			
F (mm)				3.0	3.0	3.0	3.0	3.0	3.0			
ØW (mm)				F07	F07	F07	F07	F07	F10			
ØG (mm)				F10	F10	F10	F10	F10	F12			
Z - Ød (mm)				4-18	4-18	8-18	8-18	8-18	8-22			
Rating				PN16	PN16	PN16	PN16	PN16	PN16			
Weight (kg)				9.30	14.2	17.70	25.30	29.90	37.50			

Pressure and temperature ratings are minimum and maximum values only and actual performance will be dependant upon application.

All images on this page are for guidance only. E&OE. We reserve the right to amend specifications, prices & products without prior notification